

Ready for competition.

With best-in-class total elevation travel.



Seeing beyond



ZEISS LRP S3 **First Focal Plane Riflescopes** Product Brochure 2022



zeiss.com/lrp-s3

Ready for competition.

With best-in-class total elevation travel.

In the world of long-range rimfire competition, the little 22 LR cartridge is frequently pushed beyond its intended limits. In turn, the capabilities and performance of the riflescope are tested at the extreme - with a key limiting factor for many scopes being sufficient elevation travel.

The solution: ZEISS LRP S3 425-50 model, with a staggering 160 MOA or 46.5 MRAD of elevation travel. Tested to withstand 1,500 g-force of shock over multiple impact cycles, the all-new ZEISS LRP S3 is ready for the toughest of competitions. Are you ready?



Introducing ZEISS LRP S3 First Focal Plane Riflescopes

In the world of long-range competition shooting, the goal is to swiftly locate and engage distant targets successfully with each shot. The challenges for the shooter are many: swirling winds, hidden targets, poor and harsh lighting. Not to mention the stress of competing against the clock while facing challenging stages with extreme distances that push today's cartridges well beyond their intended limits. These obstacles will test every parameter of the riflescope's capability – and while you may not be able to control the conditions, you can certainly adjust for them based upon your choice of a riflescope.

The ZEISS LRP S3, with up to a staggering 160 MOA or 46.5 MRAD of total elevation travel, can deliver bullet impact on the most distant

targets. Advanced optics allow the shooter to quickly locate and define the targets. The optical performance is assured via the use of multiple elements of ED glass, ZEISS T* (T-Star) lens coating, and 90% light transmission. The ZEISS Ballistic Stop, with its robust design and all-metal construction, provides an absolute and repeatable zero under any condition. The external locking windage turret offers the shooter easy access for immediate wind corrections and a locking feature to hold the setting. The daylight visible illuminated reticle – with a user-selectable option of red or green illumination – assures a viable point-of-aim in any lighting condition. Tested to withstand 1,500 g-force of shock over multiple impact cycles, the all-new ZEISS LRP S3 first focal plane riflescopes are ready for competition.



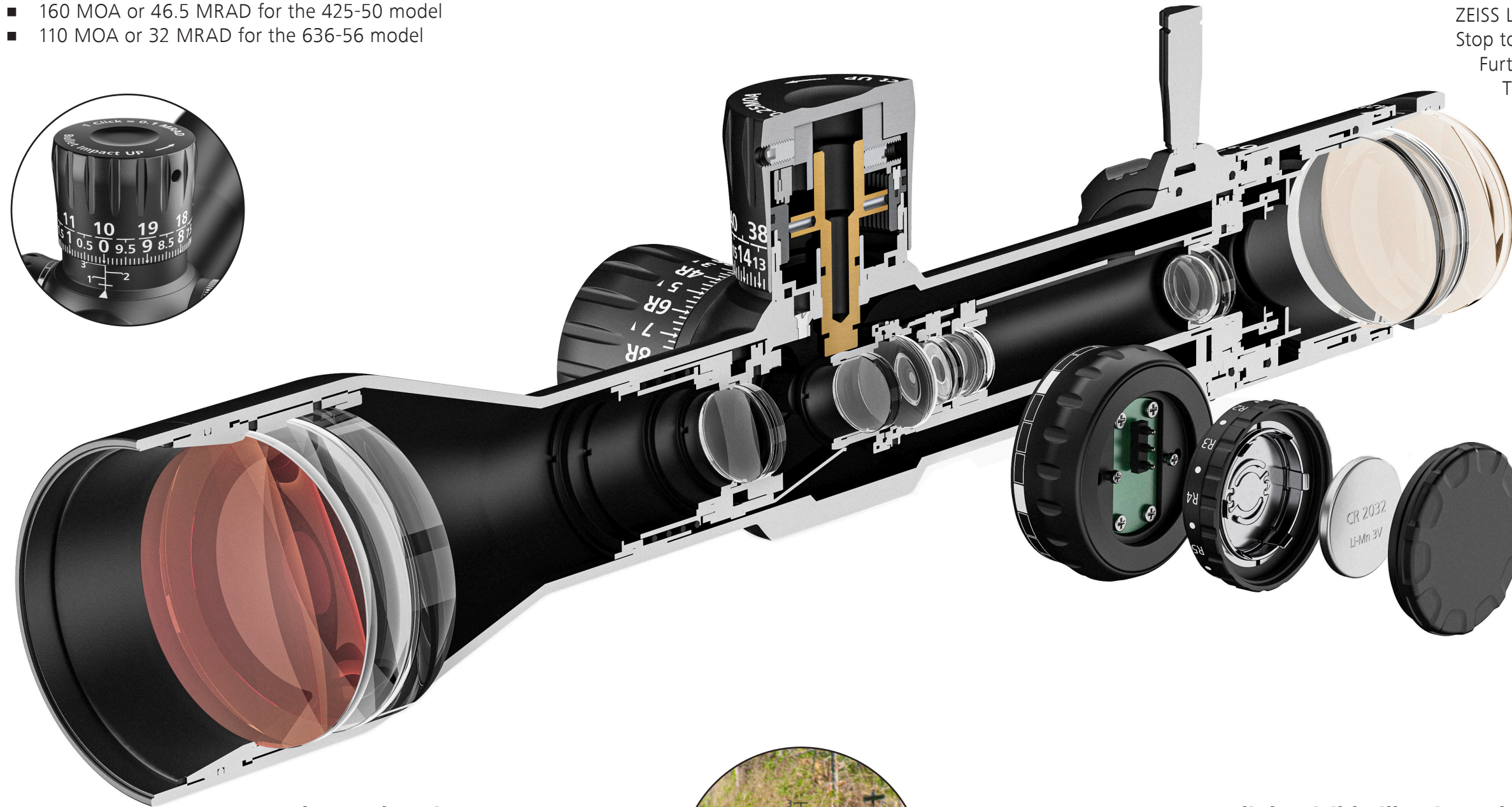
ZEISS LRP S3 425-50 and 636-56

First Focal Plane Riflescopes

Best-in-class total elevation travel.

With a staggering amount of total elevation travel

- 160 MOA or 46.5 MRAD for the 425-50 model
- 110 MOA or 32 MRAD for the 636-56 model

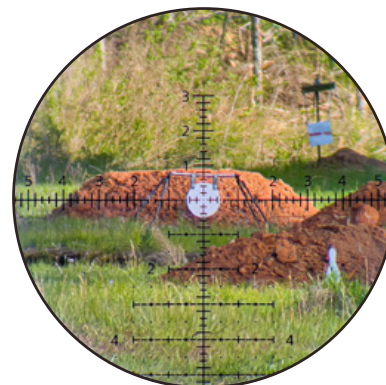


Ballistic Stop and External Locking Windage Turret.

ZEISS LRP S3 riflescopes utilize ZEISS' proven Ballistic Stop to provide an absolute and true return to zero. Furthermore, they offer an External Locking Windage Turret that provides immediate access for wind corrections, with a locking feature.

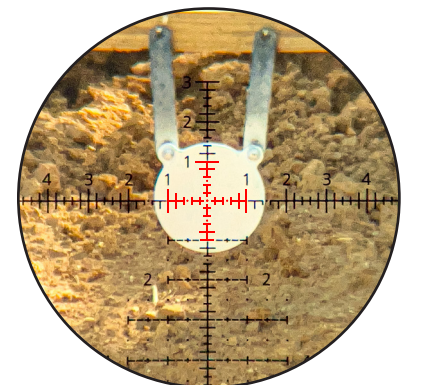
Advanced optics.

With Extra Low Dispersion (ED) glass elements, ZEISS T* multi-coated lenses, and 90% light transmission, the ZEISS LRP S3 models deliver advanced optical performance.



Daylight visible illuminated reticle.

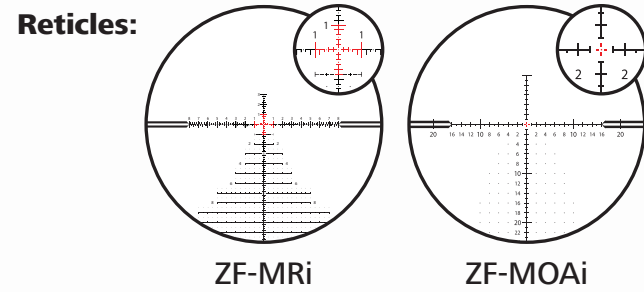
A powerful daylight visible illuminated reticle, with user-selected option of red or green illumination is controlled via five intensity levels. Only the center section of the reticle illuminates for a most precise point of aim.



Model illustrated above is LRP S3 425-50

ZEISS LRP S3 425-50 and 636-56

First Focal Plane Riflescopes



Best-in-Class Total Elevation Travel

- 425-50: 160 MOA or 46.5 MRAD
- 636-56: 110 MOA or 32 MRAD

Side Parallax Adjustment

- 425-50: 15 meters to infinity
- 636-56: 10 meters to infinity
- Larger diameter for ideal control

Daylight Visible Illuminated Reticle

- Red/Green illumination
- Digitally controlled, five intensity levels
- Auto-off feature
- Center-of-reticle illumination
- Powered by CR 2032 battery

Compact and Heavy-Duty

- 34 mm main tube mono-bloc housing
- Machined from solid aluminum billet T6
- Up to 3 mm main tube wall thickness
- Matte black, hard-coat anodized finish
- Shock tested to 1,500 g-force

Diopter Adjustment

- European-style fast focus
- +3/-3 diopter settings
- Easy adjustment for corrective vision

Ballistic Stop and External Locking Windage Turrets

- Multi-turn, lifting design with enhanced engraving
- 0.1 MRAD or 0.25 MOA click value option
- One revolution equals 10 MRAD or 25 MOA
- Elevation turret – with dual row engraving
- Windage turret – locking feature

Smarter First Focal Plane Reticles

- Milliradian: ZF-MRi
- Minute of angle: ZF-MOAI
- Etched and chroma structures with highly intuitive designs – with floating center dot
- Numerical indicators and reference marks for precise and fast target engagement

Advanced Optical Design

- Extra-Low Dispersion (ED) lens elements
- 90% light transmission
- ZEISS T* (T-Star) multi-layer coating
- LotuTec® hydrophobic protective lens coating

Model illustrated above is LRP S3 425-50

OPTICS:

ED Extra-Low Dispersion Lens Elements

T* T* Multi-Layer Lens Coating

90% 90% Light Transmission

TURRETS:

Side Parallax Adjustment

External Locking Windage Turret

Multi-Turn Turret

Ballistic Stop

0.1 MRAD

0.25 MOA

FEATURES AND ATTRIBUTES:

1ST 1st Focal Plane

Lightweight

Magnification Throw Lever

400 Waterproof up to 400 mbar

Illuminated

LIFETIME WARRANTY ZEISS Transferable Limited Lifetime Warranty and Transferable Five-Year No-Fault Policy

34 34 mm Maintube

N₂ Nitrogen Purged

ZEISS FFP RETICLE

Milliradian: ZF-MRi

The ZF-MRi smart reticle was designed with professional input from active competitors and instructors. Its purpose is to dominate at PRS and NRL matches. The milliradian (MRAD) reticle incorporates a “tree-style” primary structure with useful hash marks, dots, and reference numbers – without the clutter. The points-of-aim and holds are represented in 0.2, 0.5, and 1.0 MRAD increments; and even numbers are displayed for fast and intuitive visual reference. If winning is your goal, then the ZF-MRi reticle was made for you.

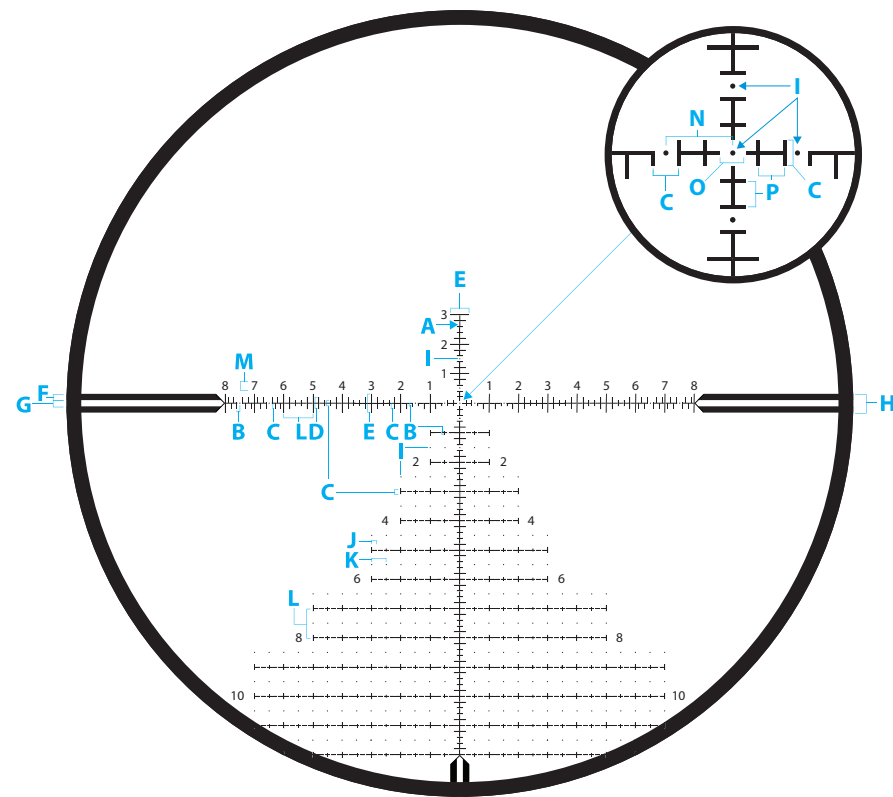


Image above is for illustration purposes

ZEISS LRP S3	425-50	636-56	Distance - H	0.6
UNIT OF MEASURE	MRAD		Dot Size - I	0.04
Line Thickness - A	0.03		Distance - J	0.2
Distance - B	0.1		Distance - K	0.5
Distance - C	0.2		Distance - L	1.0
Distance - D	0.4		Standard Number Size - M	0.3
Distance - E	0.6		Distance - N	0.5
Distance - F	0.2		Distance - O	0.2
Distance - G	0.2		Distance - P	0.2

Images to the right represent 22" target size at 250 yards.

ZEISS LRP S3 425-50 and 636-56

ZF-MRi Reticle

Magnification Comparison



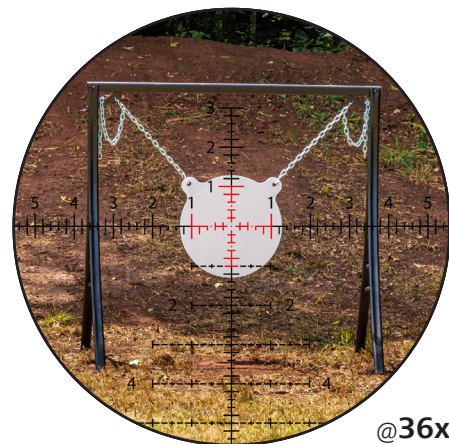
@4x



@25x



@6x



@36x

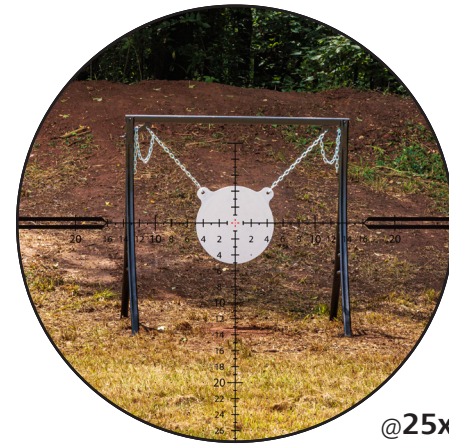
ZEISS LRP S3 425-50 and 636-56

ZF-MOAI Reticle

Magnification Comparison



@4x



@25x



@6x



@36x

ZEISS FFP RETICLE

Minute of Angle: ZF-MOAI

The ZF-MOAI smart reticle was designed with precision shooting and long-range hunting in mind. This is a great reticle for the most challenging shots in the field and on the range. The clean and clutter-free reticle utilizes hash marks that represent 1 MOA (minute of angle), and even numbers are displayed for fast visual reference. The windage dots below centerline are placed at 2 MOA increments, so that you can easily confirm the wind's influence on the bullet's impact down-range. The floating center point of aim provides a precise hold on the most difficult targets.

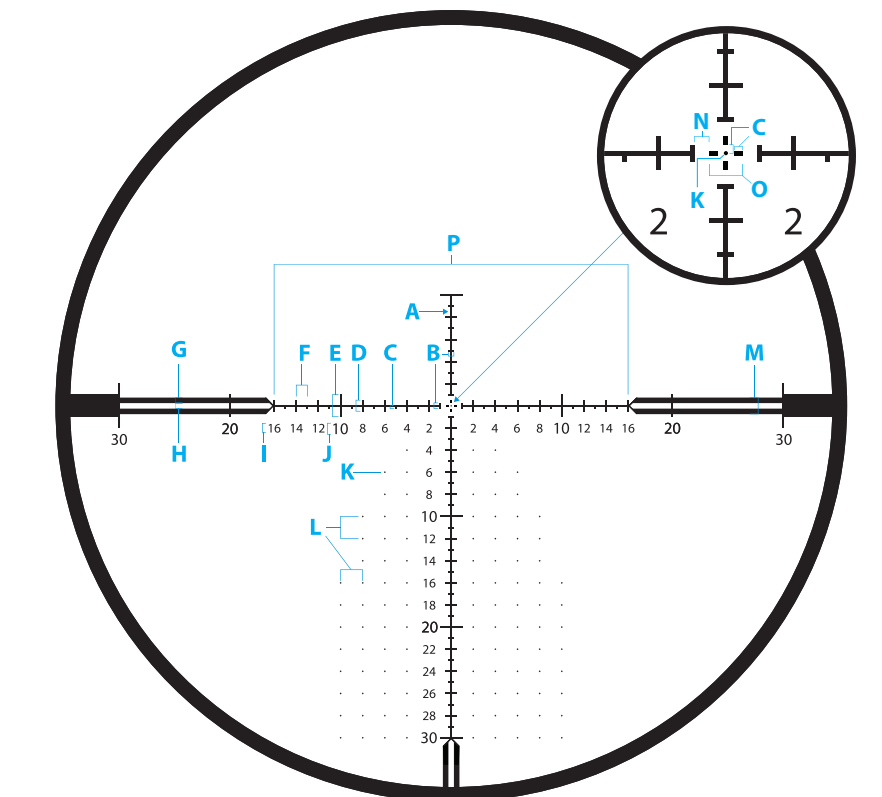


Image above is for illustration purposes

ZEISS LRP S3	425-50	636-56	Distance - H	0.5
UNIT OF MEASURE	MOA		Standard Number Size - I	0.75
Line Thickness - A	0.1		10, 20, 30 Number Size - J	1.0
Distance - B	0.5		Dot Size - K	0.125
Distance - C	0.25		Dot Spacing - L	2.0
Distance - D	1.0		Distance - M	1.5
Distance - E	2.0		Spacing around center cross - N	0.5
Distance - F	1.0		Distance - O	1.0
Distance - G	0.5		Distance - P	32

Images to the left represent 22" target size at 250 yards.

ZEISS LRP S3 First Focal Plane Riflescopes

Specifications



LRP S3 425-50
(MOA Configuration Illustrated)



LRP S3 636-56
(MRAD Configuration Illustrated)



MOA Turret Option



MRAD Turret Option



ZEISS LRP S3 First Focal Plane Riflescopes		
Model	425-50	636-56
Magnification	4x – 25x	6x – 36x
Focal Plane	First Focal Plane (FFP)	
Effective Lens Diameter - Ocular	38 mm	38 mm
Effective Lens Diameter - Obj.	50 mm	56 mm
Exit Pupil Diameter	7.1–2.0 m	8.8–1.6 mm
Twilight Factor	11.7–35.4	17.7–44.9
Field of View at 100 yds (ft)	9.5–1.6 m/100 m // 28.5–4.8 ft /100 yd	6.8–1.1 m/100 m // 20.4–3.3 ft /100 yd
Diopter Range	+3.0 / -3.0	
Eye Relief	8–9 cm / 3–3.5 in	
Parallax Setting	15 – ∞ m // 16.4 – ∞ yd	10 – ∞ m // 10.9 – ∞ yd
Light Transmission Value	90%	
Elevation Adjustment Range	46.54 MRAD // 160 MOA	32.00 MRAD // 110 MOA
Windage Adjustment Range	17.45 MRAD // 60 MOA	14.55 MRAD // 50 MOA
Click Value	0.1 MRAD / 0.25 MOA	
Main Tube Diameter	34 mm	
Eyepiece Tube Diameter	45 mm	
Objective Tube Diameter	60 mm	65 mm
Objective Thread	M54 x 0.75 mm	M62 x 0.75 mm
Coatings	LotuTec® and ZEISS T* (T-Star)	
Fogproof	Nitrogen Purged	
Waterproof	400 mbar (submerged 13 ft for 2 hours)	
Operating Temperature	-13 / +133° F	
Length (at zero diopter setting)	340 mm // 13.4 in	384 mm // 15.1 in
Weight	1,040 g // 36.7 oz	1,107 g // 39.1 oz
Reticle Illumination (Dual Color)	Yes (Daylight visible. Five intensity levels. Auto-off.)	
Reticle Options (MOA)	ZF-MOAI	
Reticle Options (MRAD)	ZF-MRI	

Product Number	Description	Reticle Type
522665-9917-090	LRP S3 425-50 (MOA)	ZF-MOAI
522675-9916-090	LRP S3 425-50 (MRAD)	ZF-MRI
522685-9917-090	LRP S3 636-56 (MOA)	ZF-MOAI
522695-9916-090	LRP S3 636-56 (MRAD)	ZF-MRI

ZEISS LRP S3 425-50 and 636-56

Associated products and accessories



Seeing beyond



ZEISS Precision Rings



ZEISS Lens Care Kit



Sunshades
50 mm and 56 mm



Victory RF Binocular
Laser Rangefinder



Conquest HD 15x56



Victory Harpia 95



Conquest Gavia 85



ZEISS Transferable Limited Lifetime Warranty and Transferable Five-Year No-Fault Policy

Customer Service

1-800-441-3005
info.sportsoptics.us@zeiss.com

Carl Zeiss SBE, LLC

Consumer Products
zeiss.com/precision-shooting

Join the ZEISS Hunting community.

Follow us online:

facebook.com/ZEISSHuntingUS

youtube.com/user/zeissportsoptics

@ZEISSHunting



ZEISS LRP S3 Riflescopes
zeiss.com/lrp-s3

The accuracy of the information at time of printing. Product and specifications are subject to change without notice. | Visit zeiss.com/consumer-products/us/hunting for the most up-to-date product information.

N/A Product Brochure - Printed in USA 08/2022
 Carl Zeiss SBE, LLC is not responsible for typographical errors, and we make every effort to ensure